

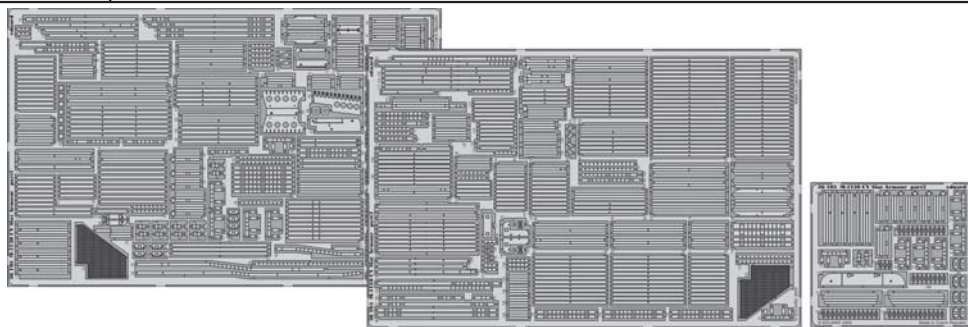


M-1130 CV Slat Armour

eduard

36 103

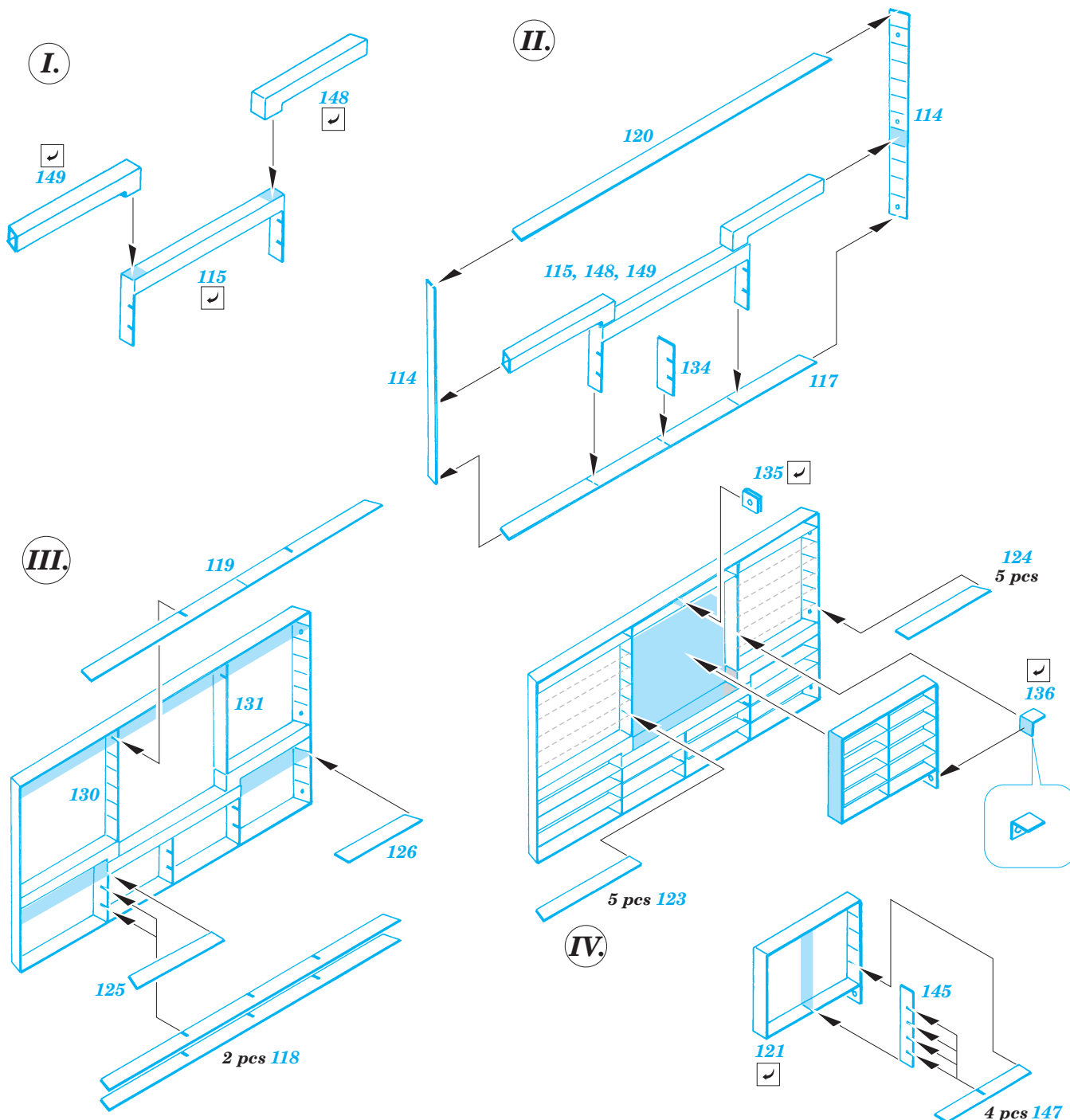
1/35 scale detail set for Trumpeter kit • sada detailů pro model 1/35 Trumpeter

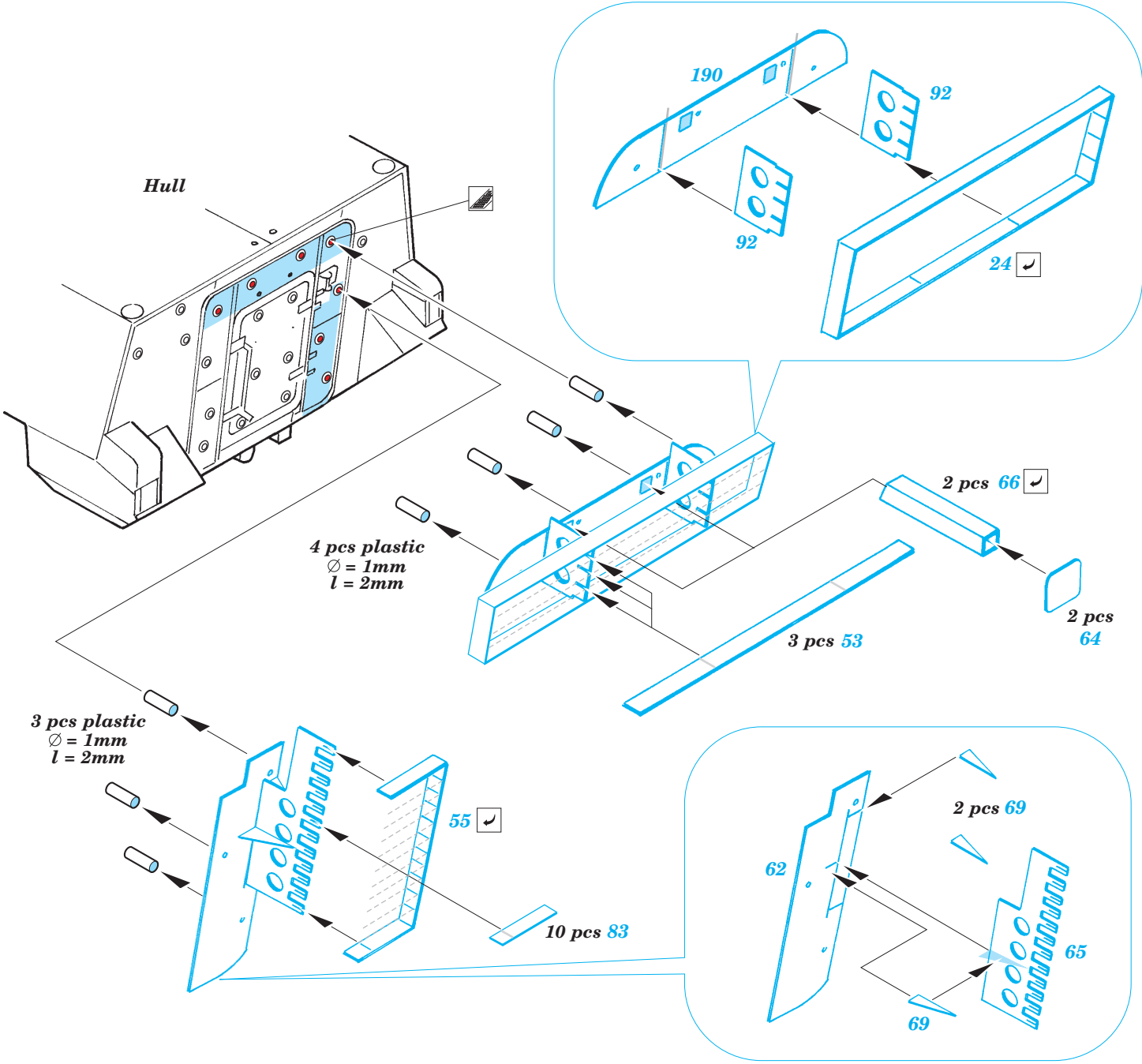
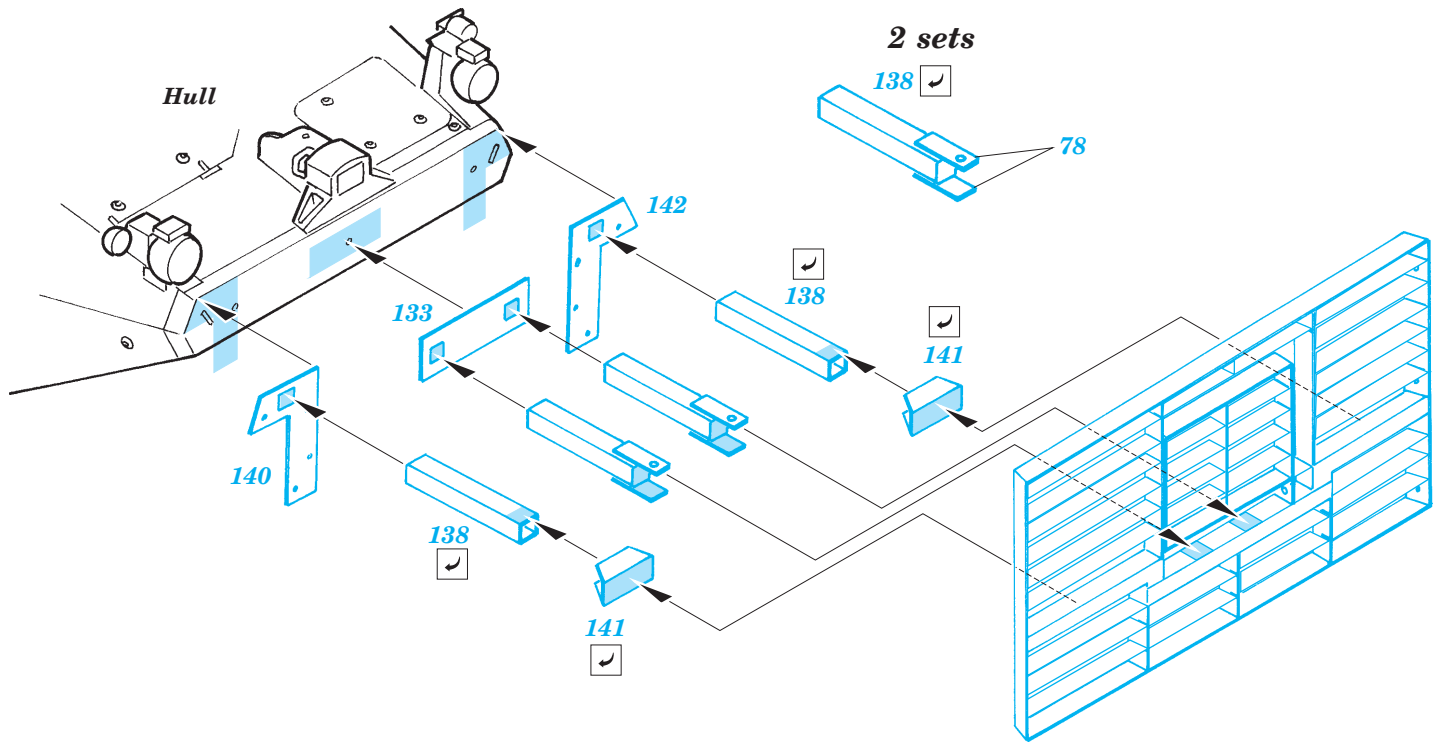


- APPLY EXPRESS MASK AND PAINT BEFORE GLUING
POUŽIT EXPRESS MASK NABARVIT PŘED SLEPENÍM
- SYMMETRICAL ASSEMBLY
SYMETRICKÁ MONTÁŽ
- REMOVE
ODSTRANIT
- GRIND
OBROUSIT
- DRILL HOLE
VRTAT OTVOR
- BEND
OHNOUT
- OPTION
VOLBA
- REPLACE
NAHRADIT

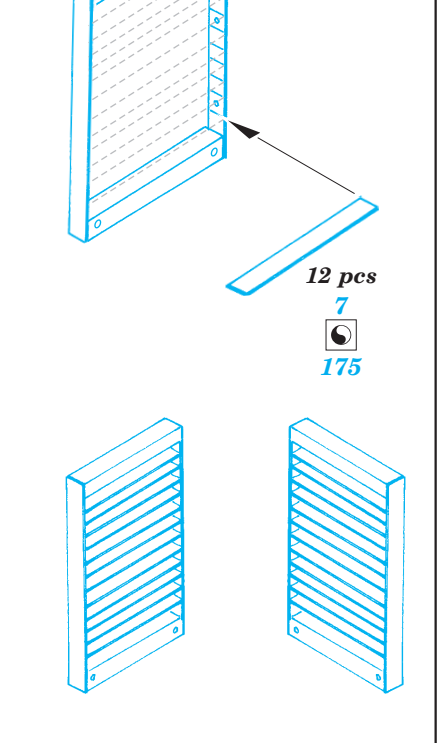
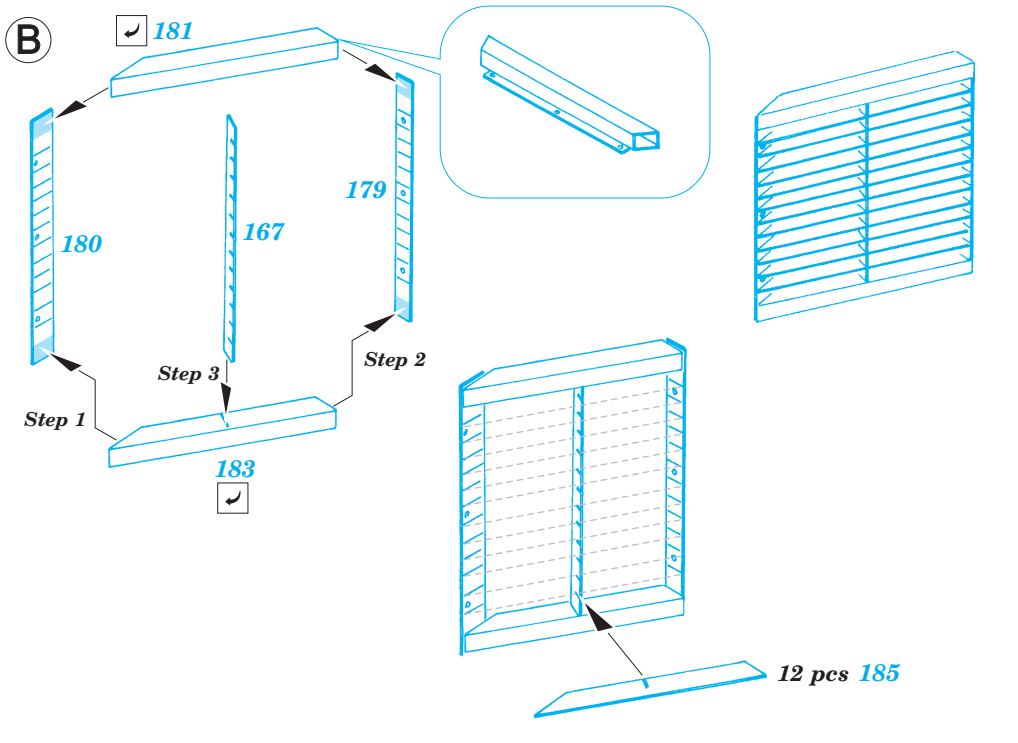
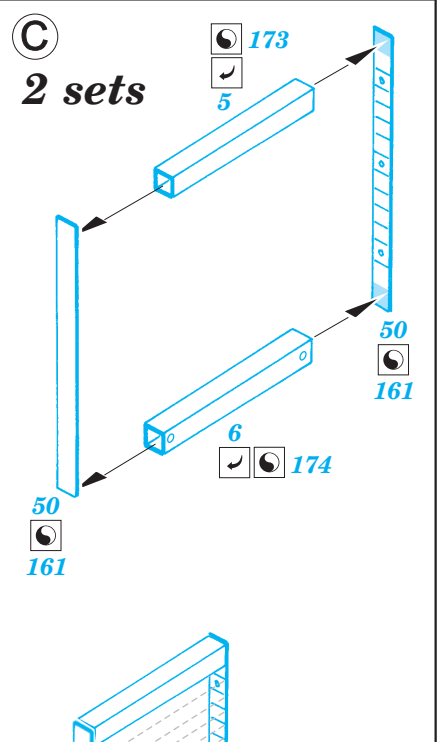
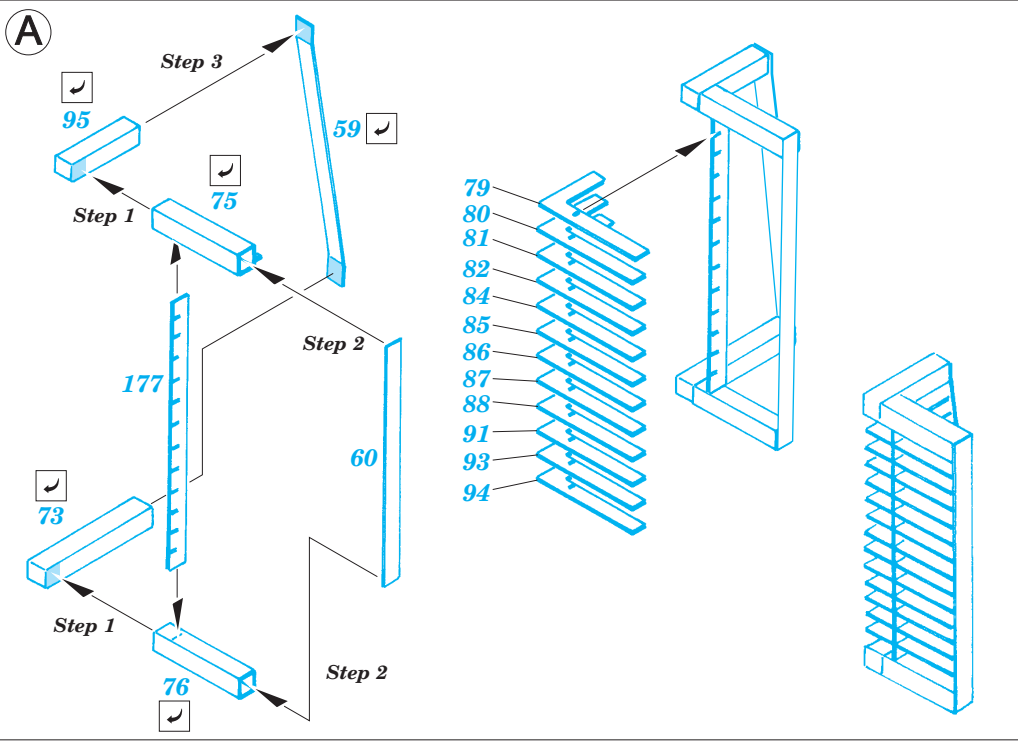
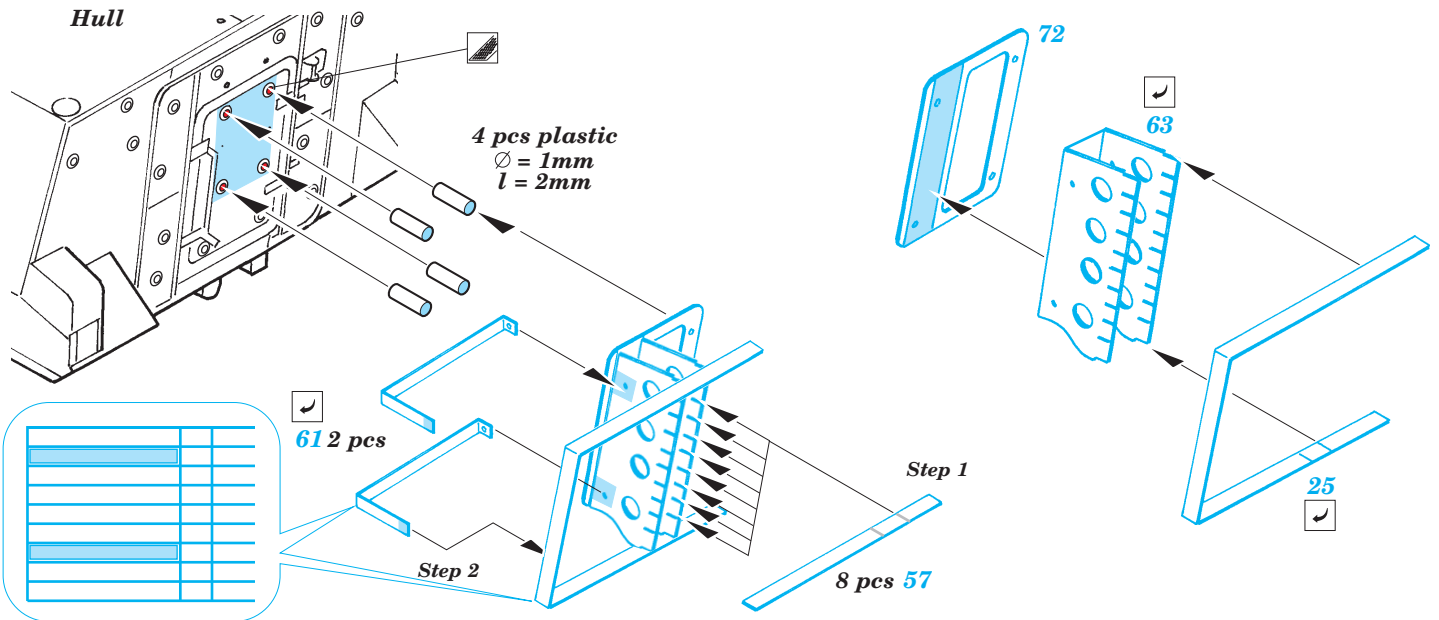
ORIGINAL KIT PARTS
PŮVODNÍ DÍLY STAVEBNICE
 PHOTO-ETCHED PARTS
LEPTANÉ DÍLY
 PARTS TO BE REMOVED
DÍLY K ODSTRANĚNÍ
 FILL
TMELIT

*This set must be used on base **eduard** 36 108 M-1130 CV additional armour (not included in this set)*

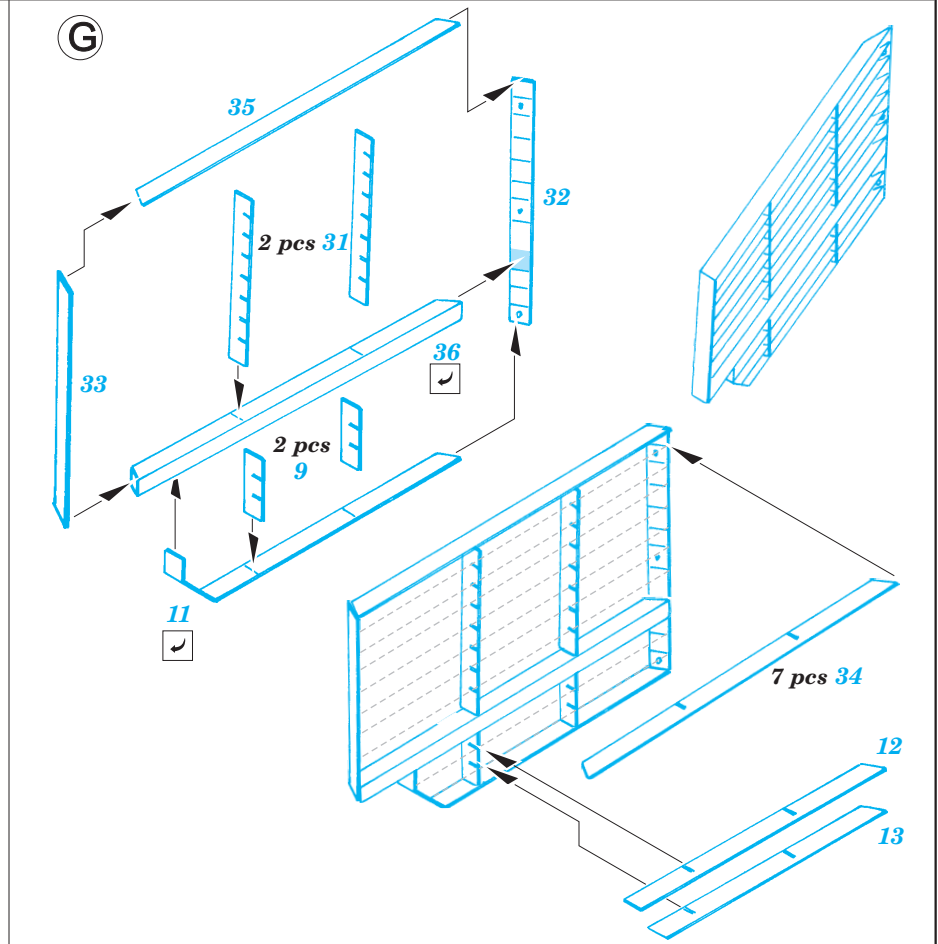
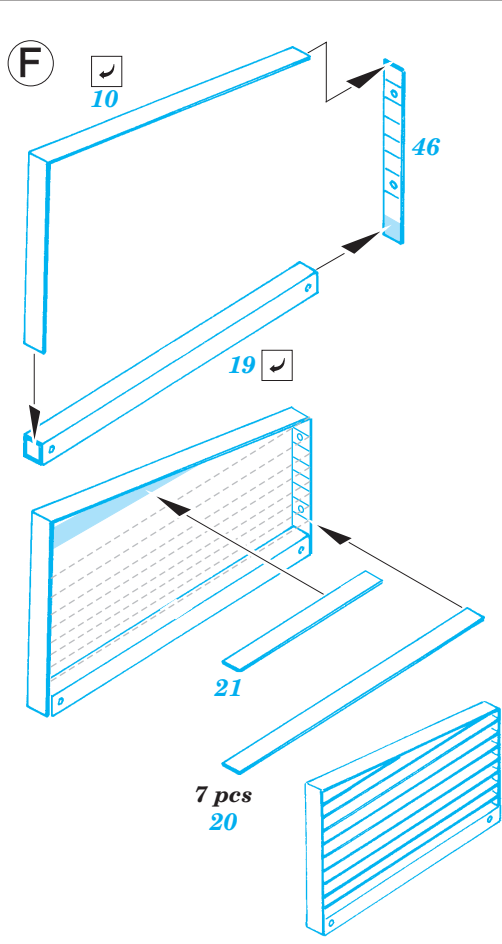
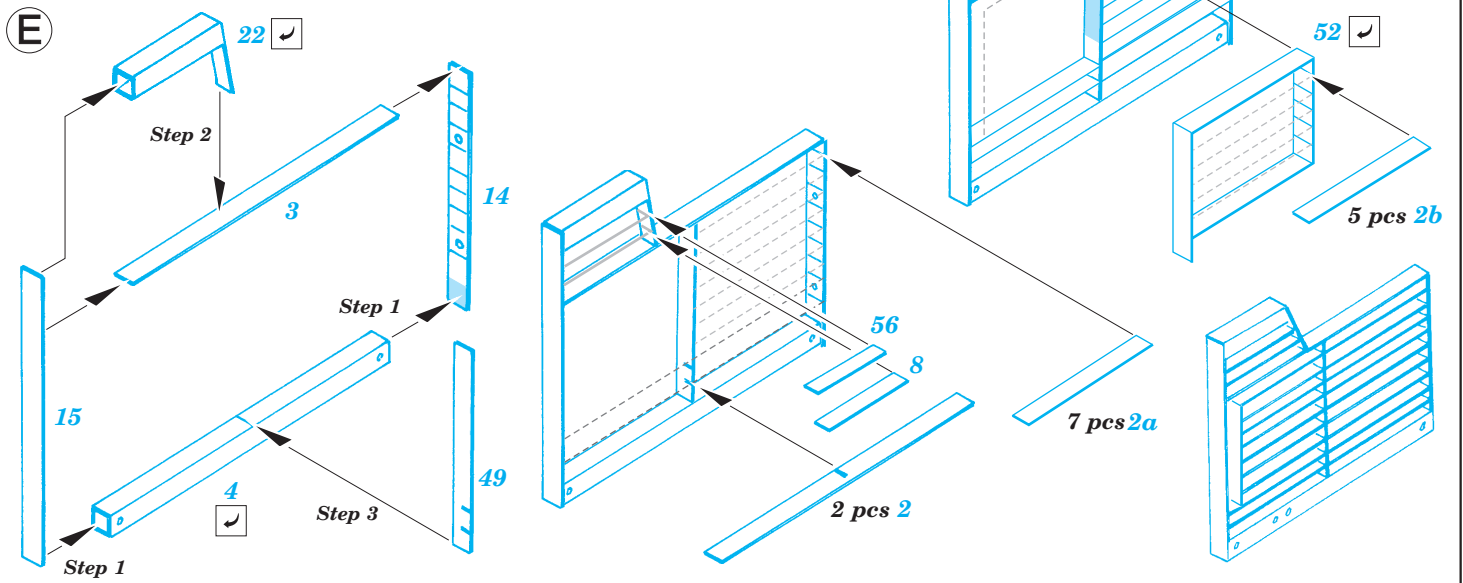
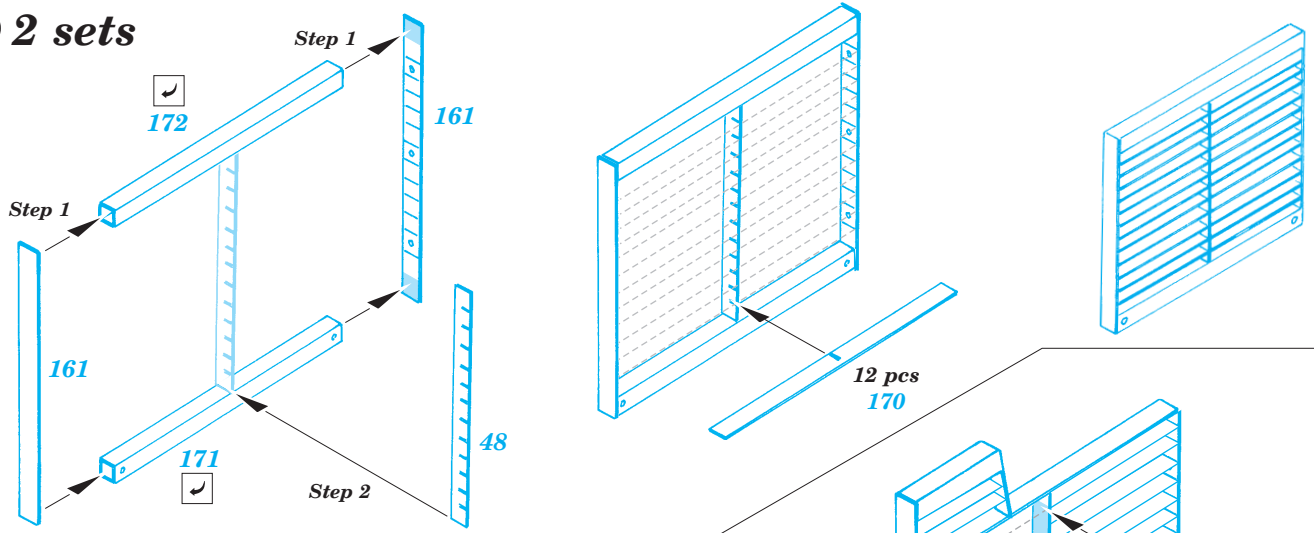


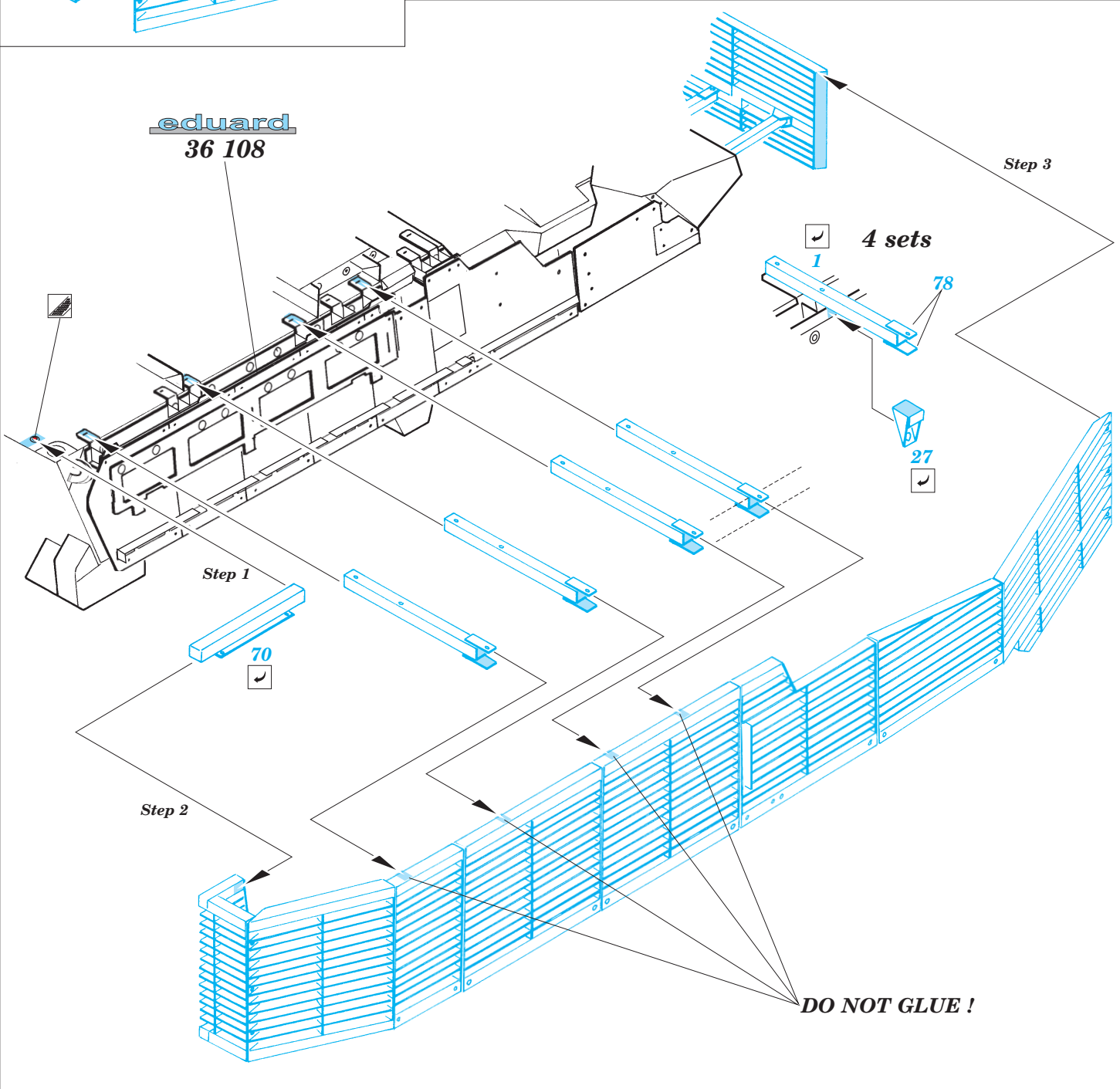
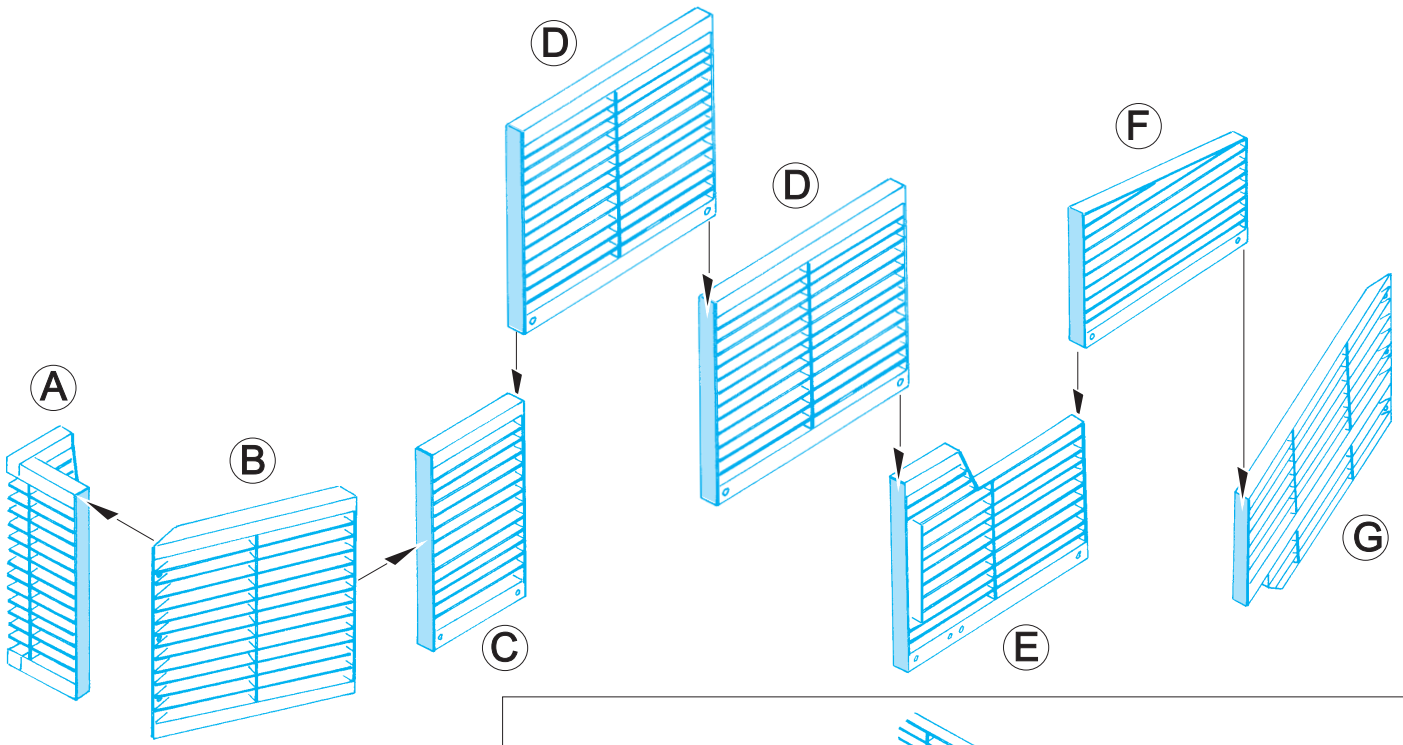


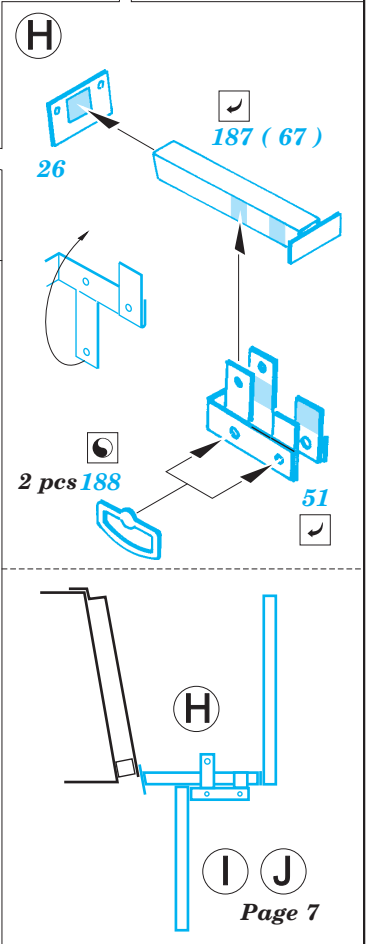
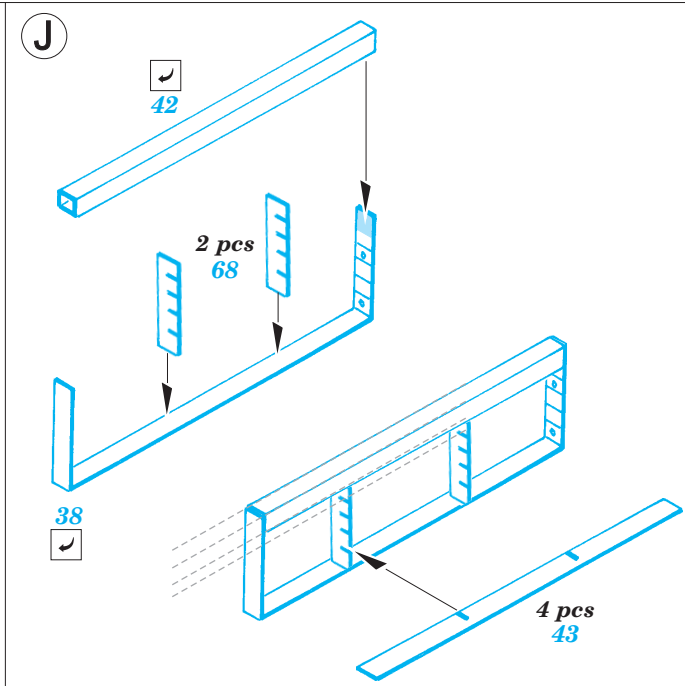
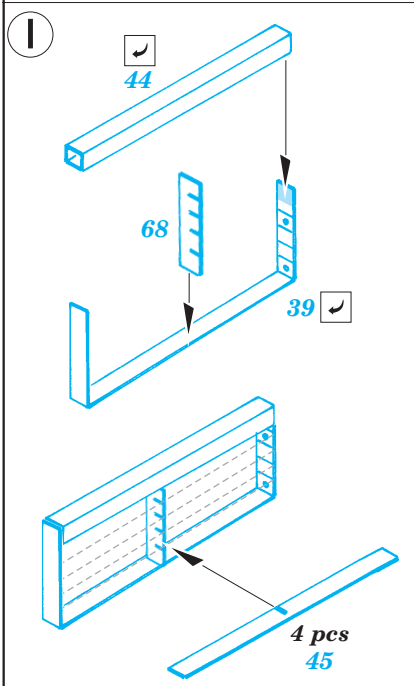
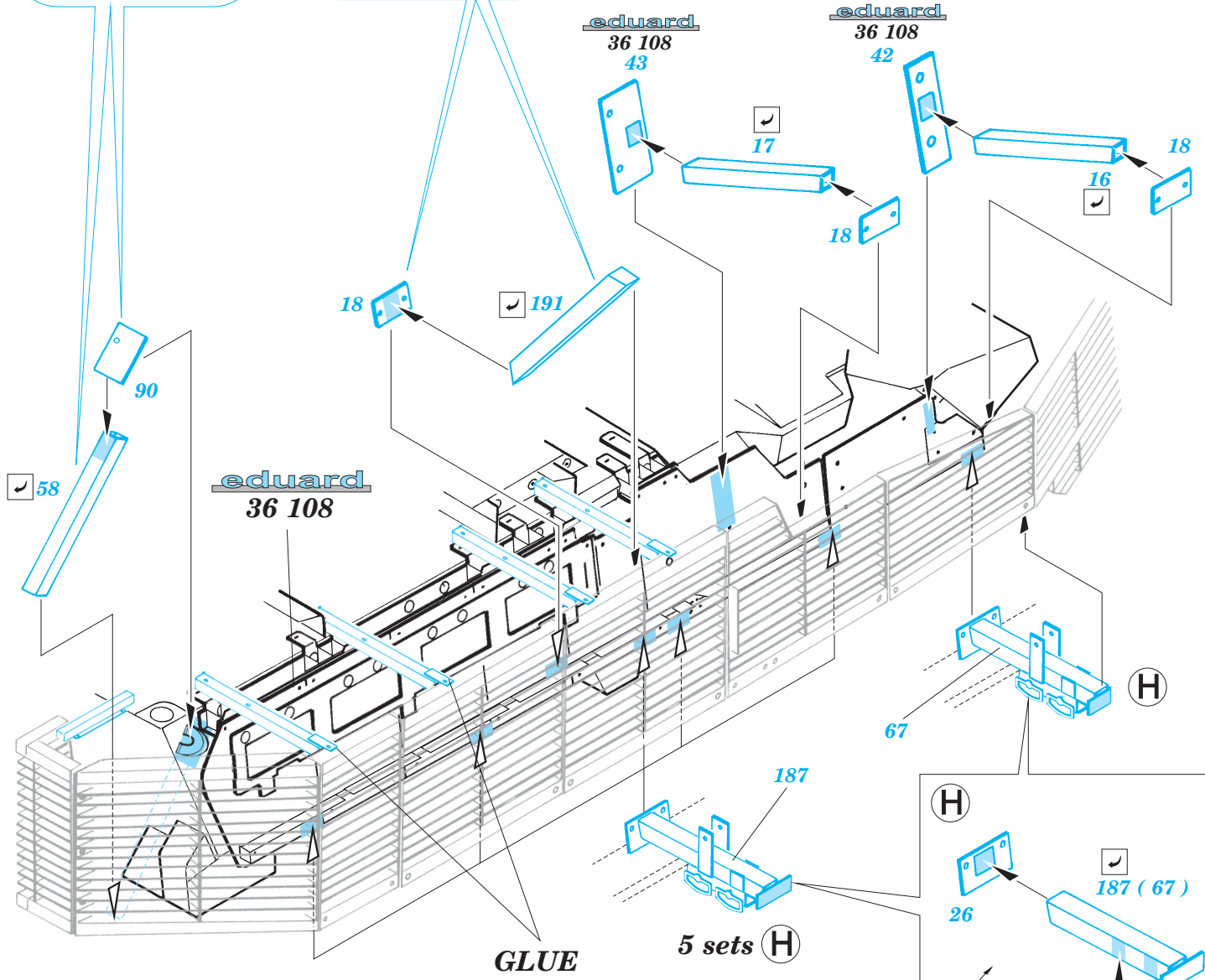
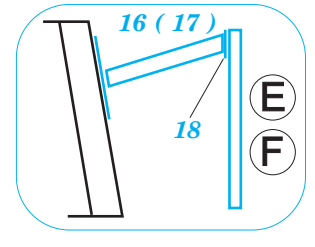
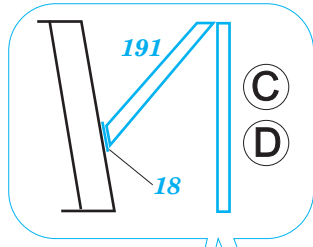
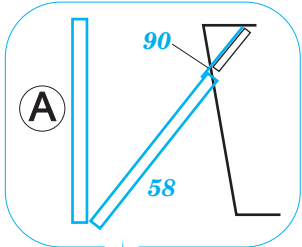
Hull



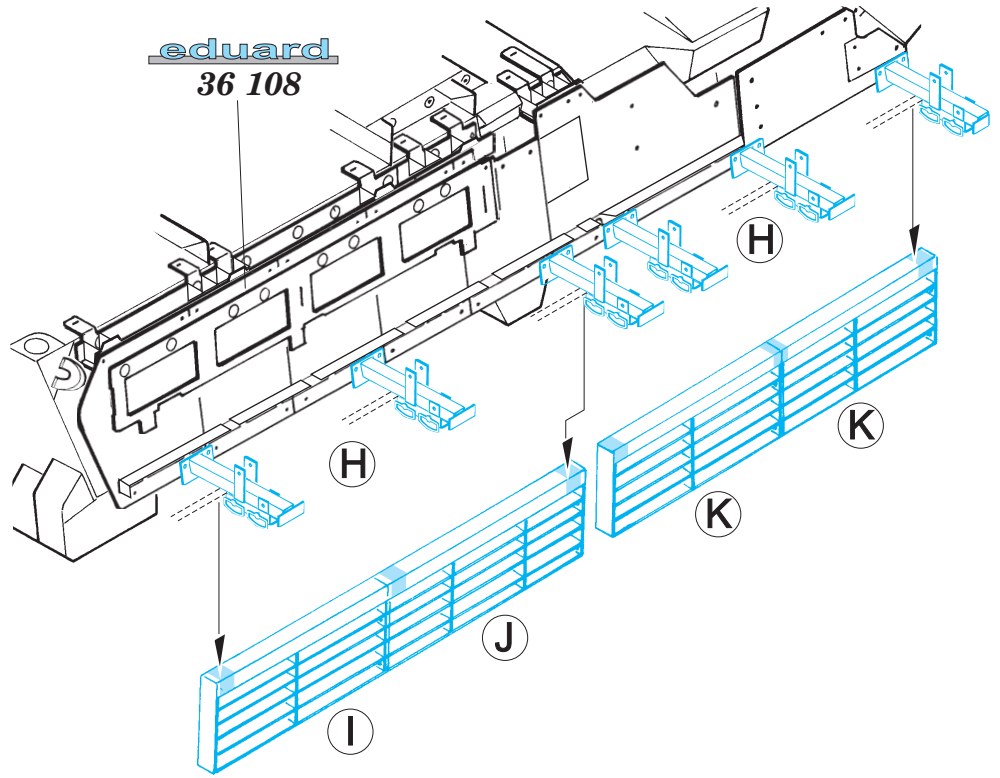
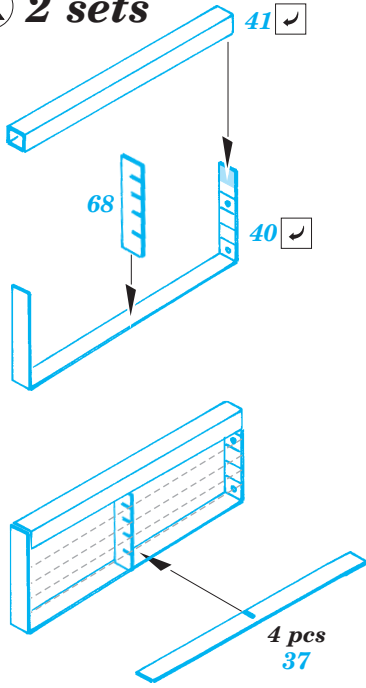
D 2 sets



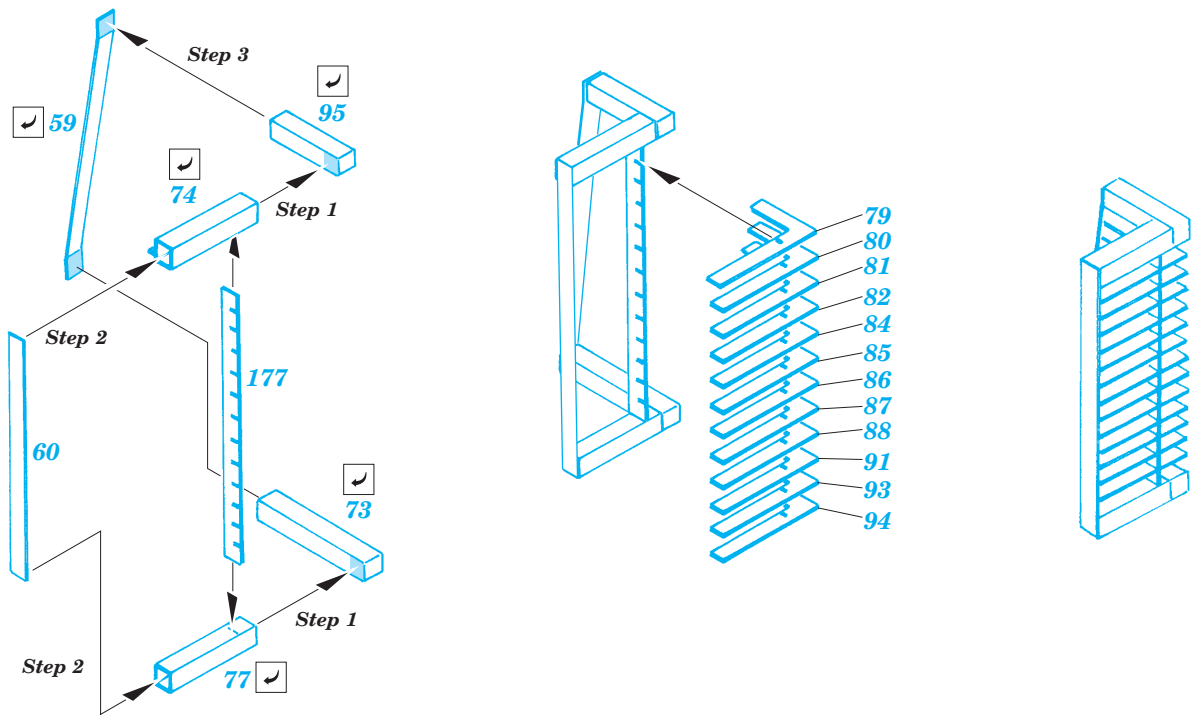




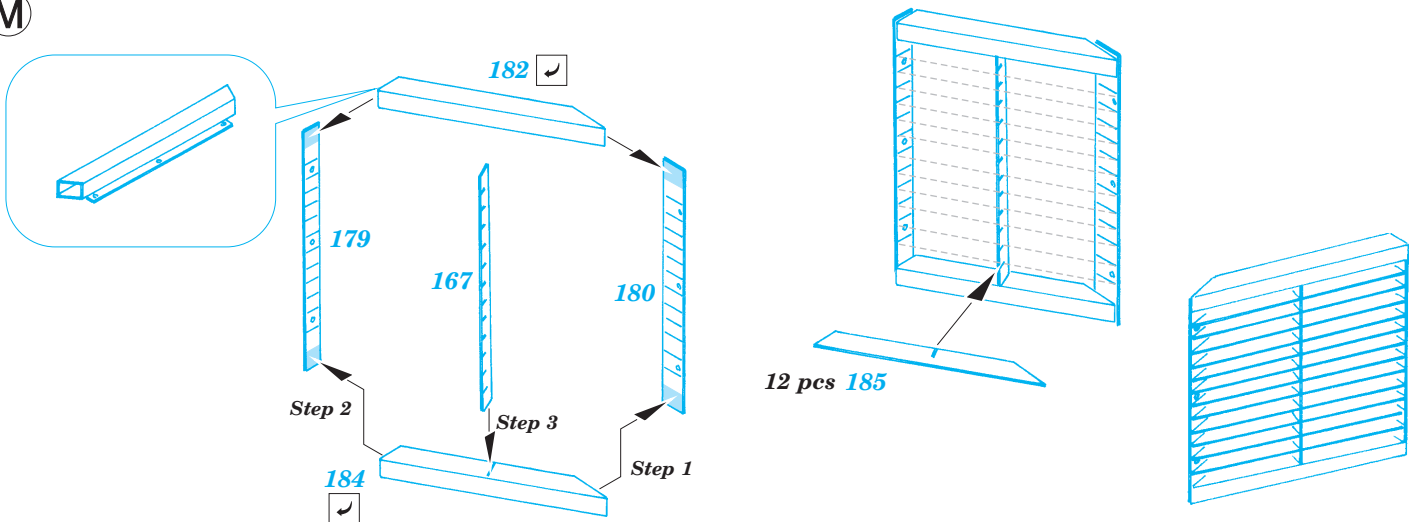
K 2 sets

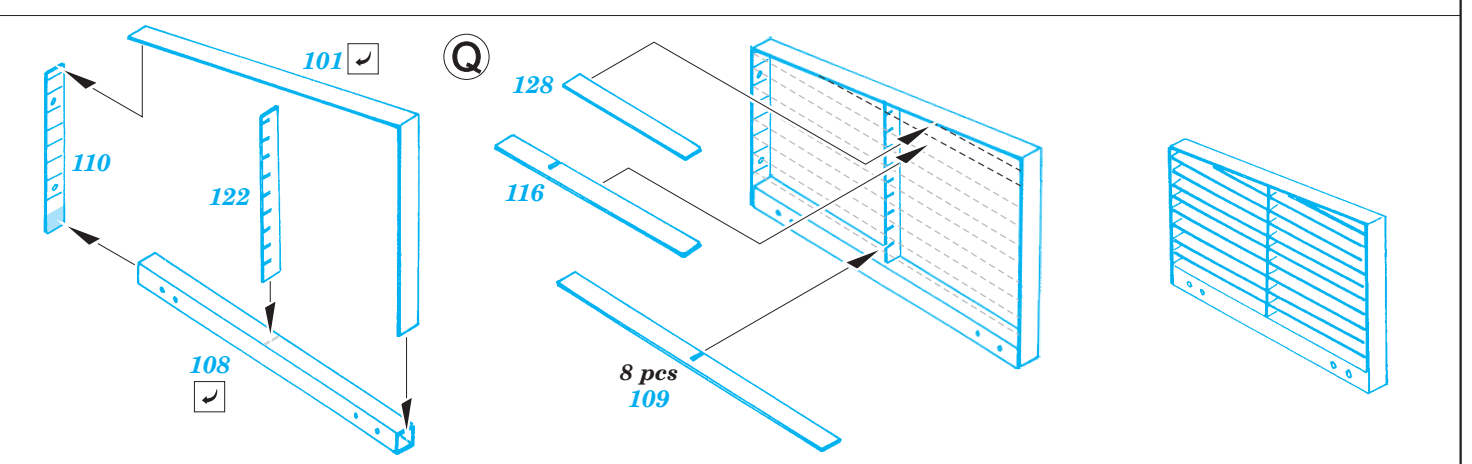
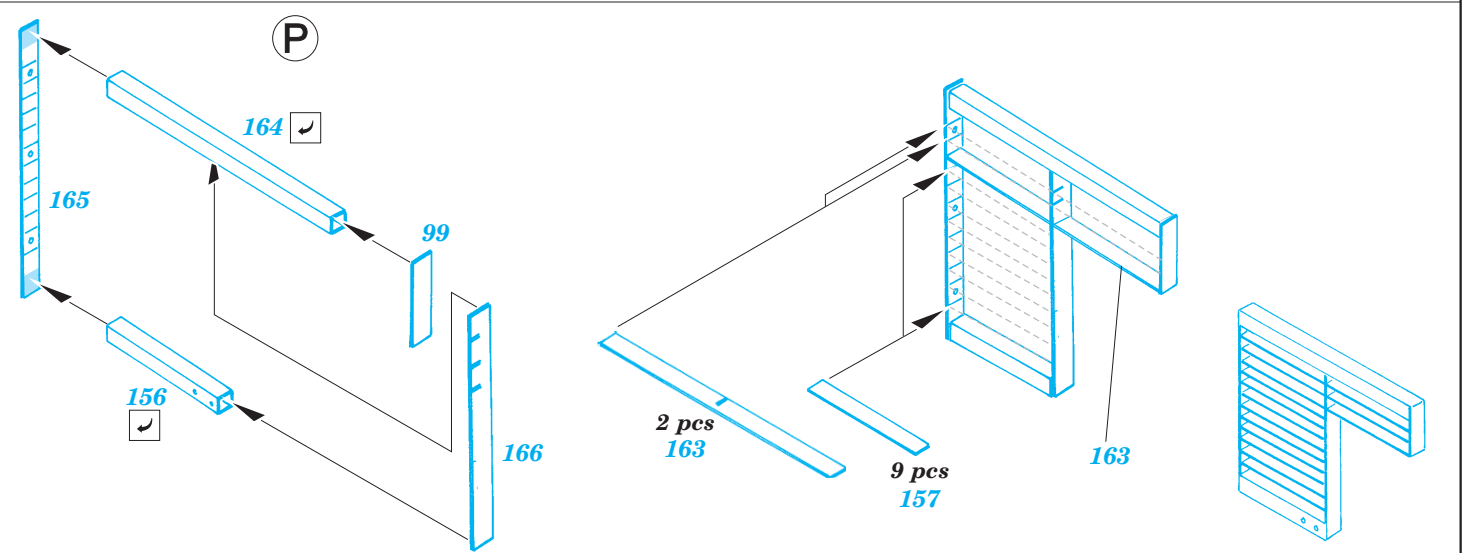
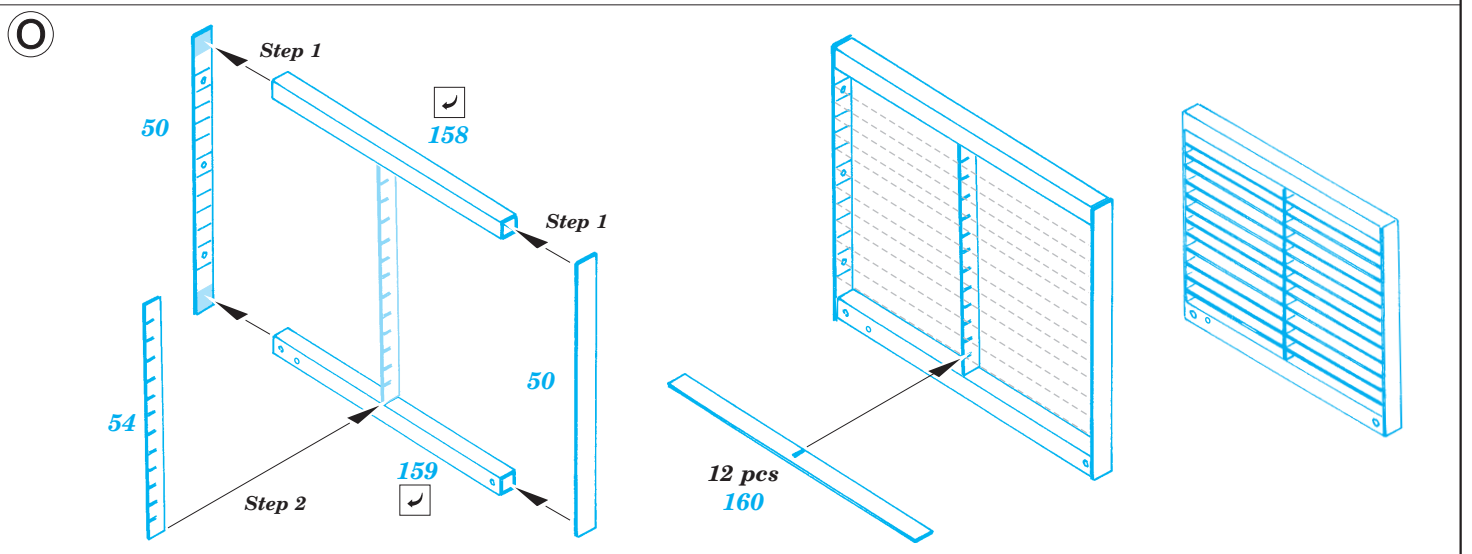
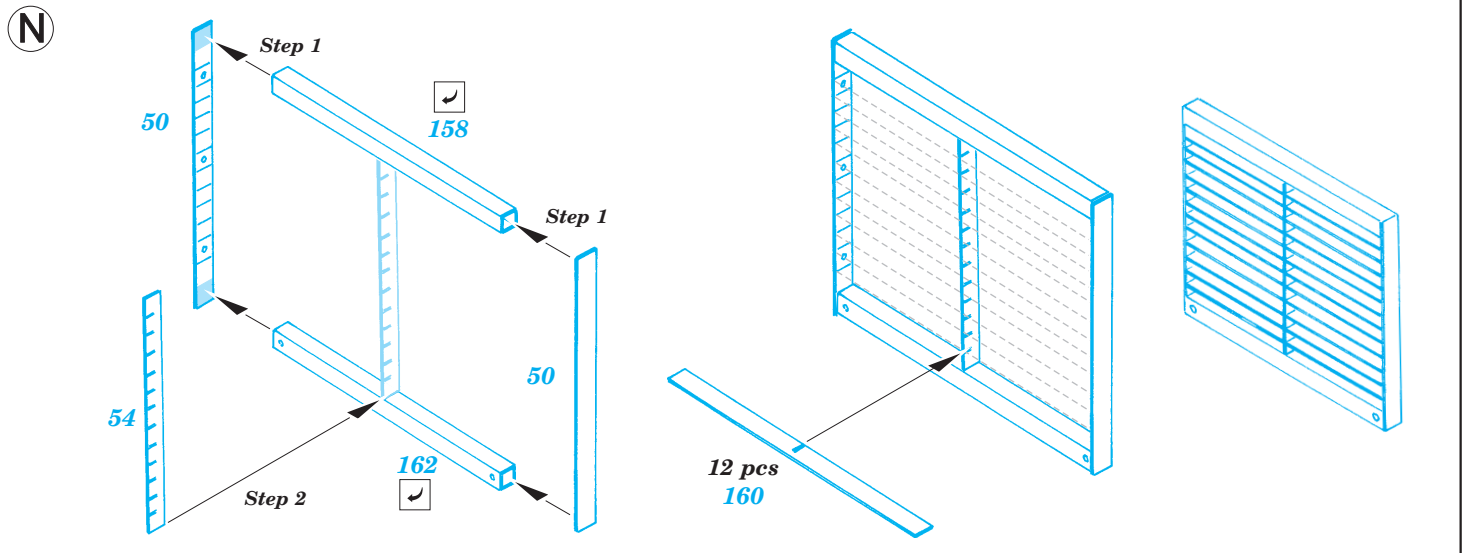


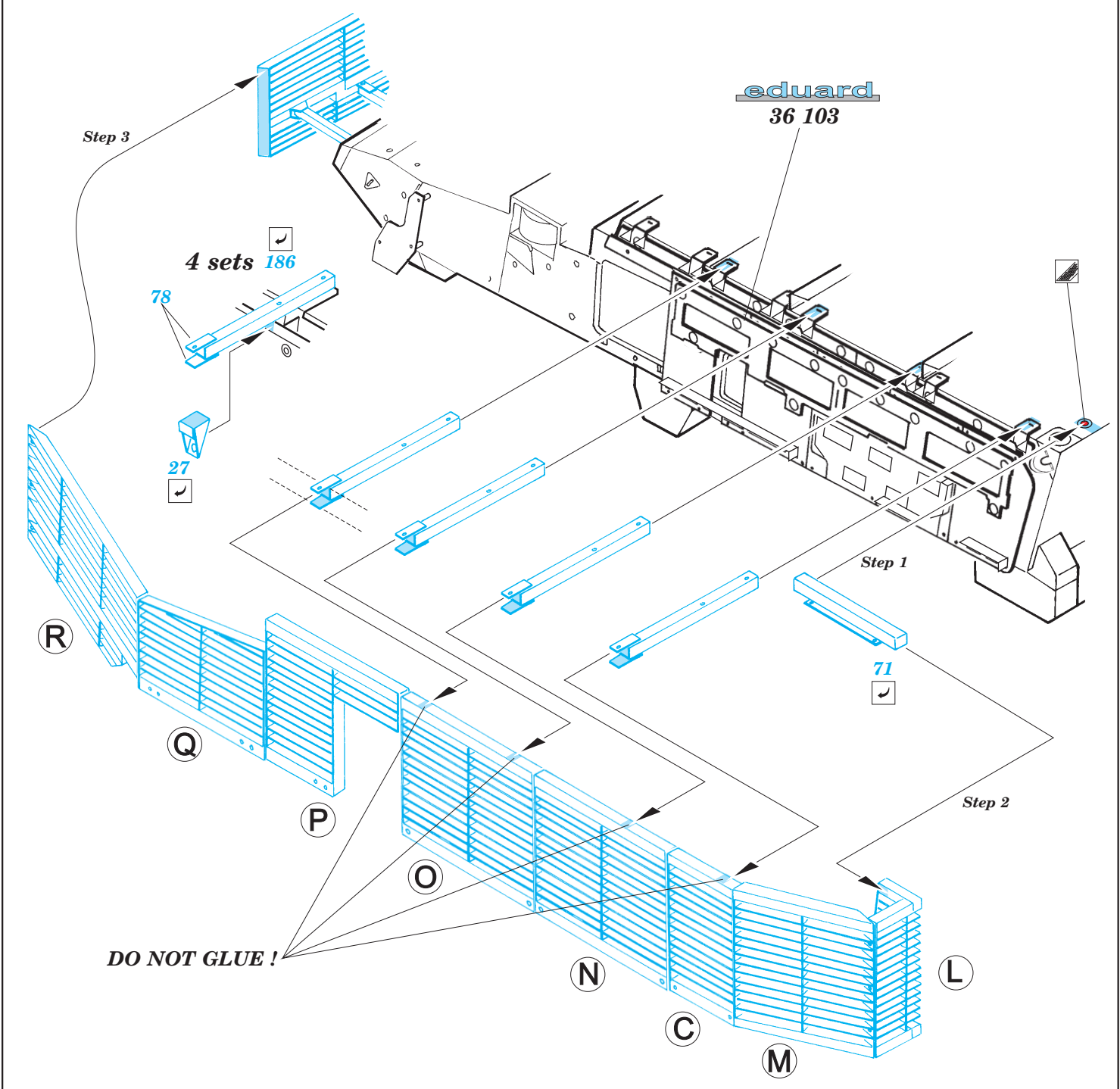
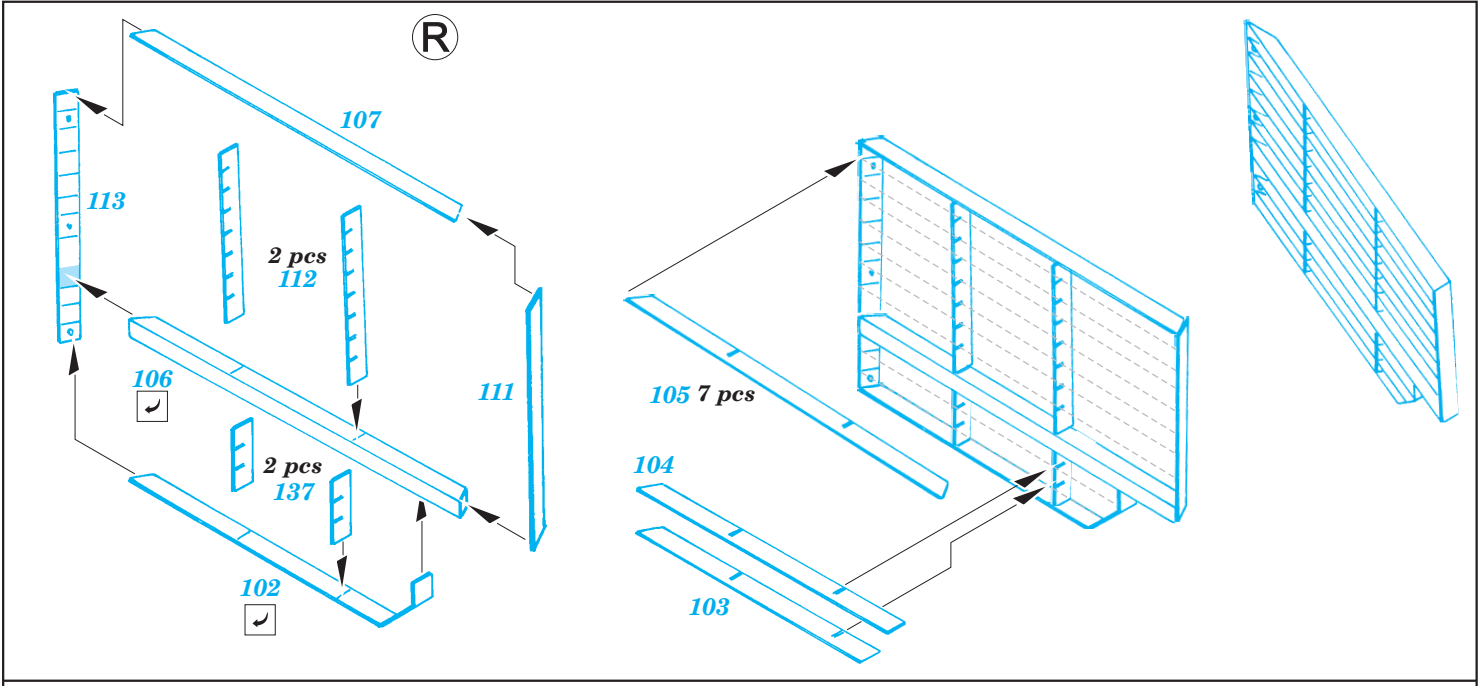
L

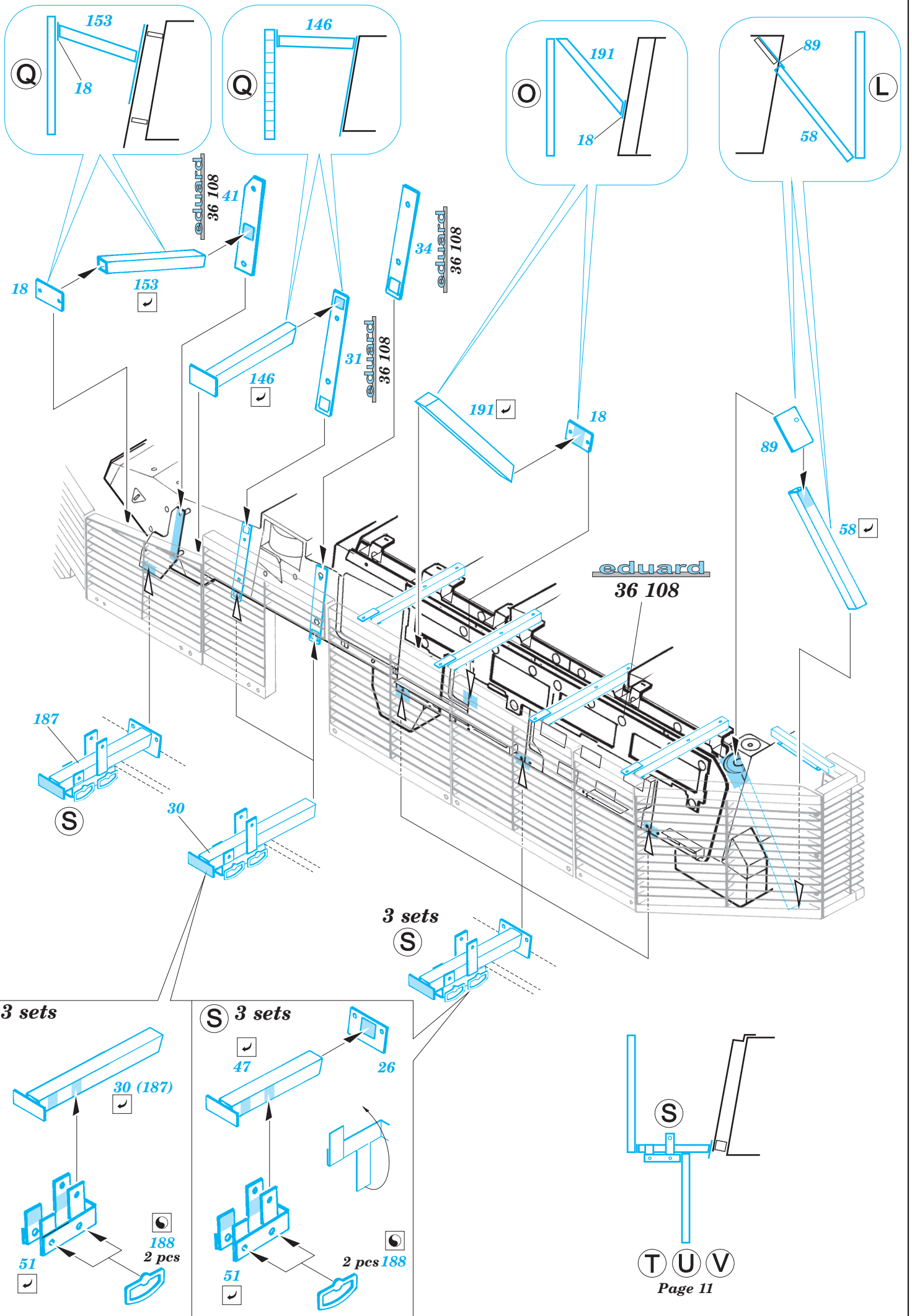


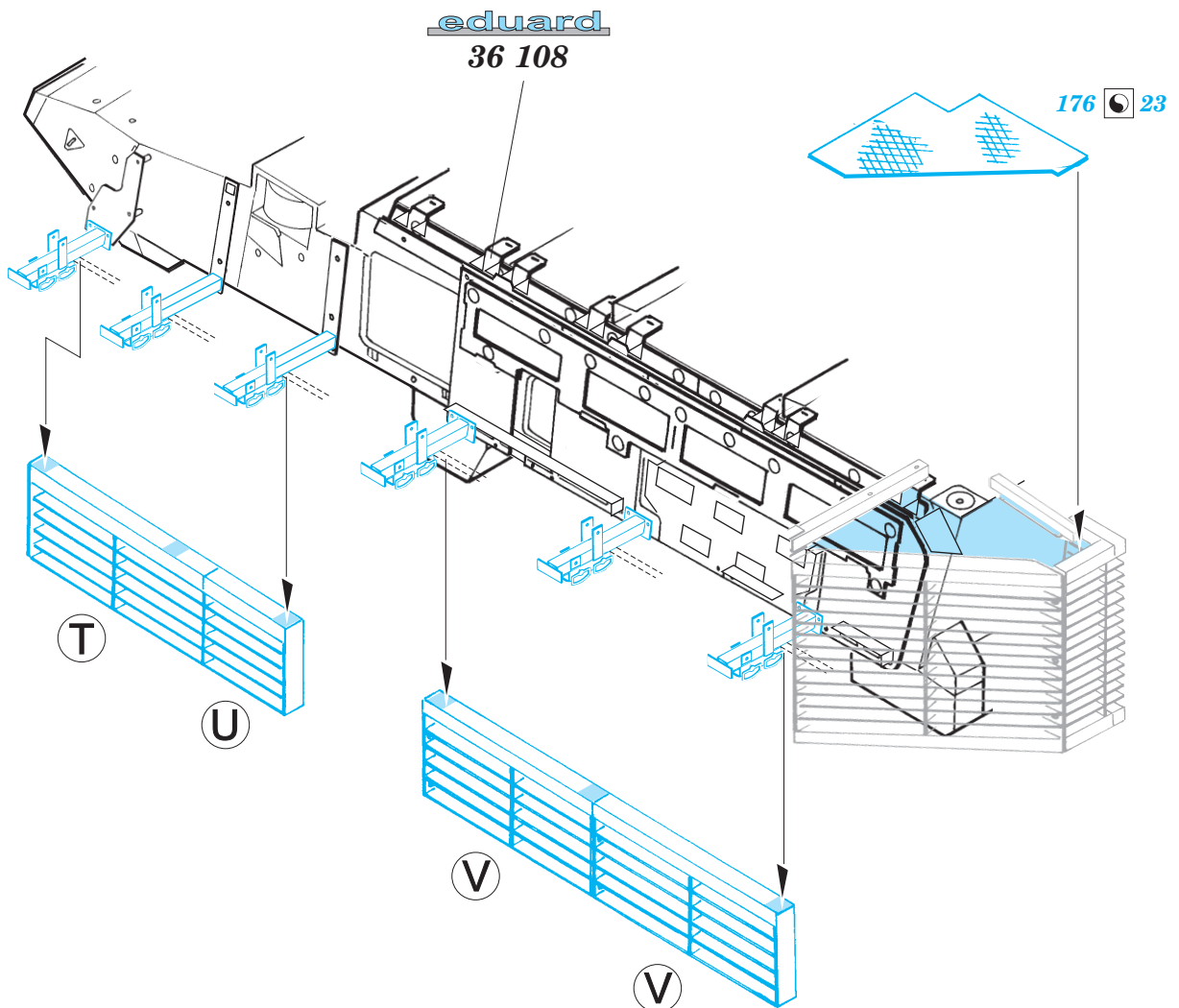
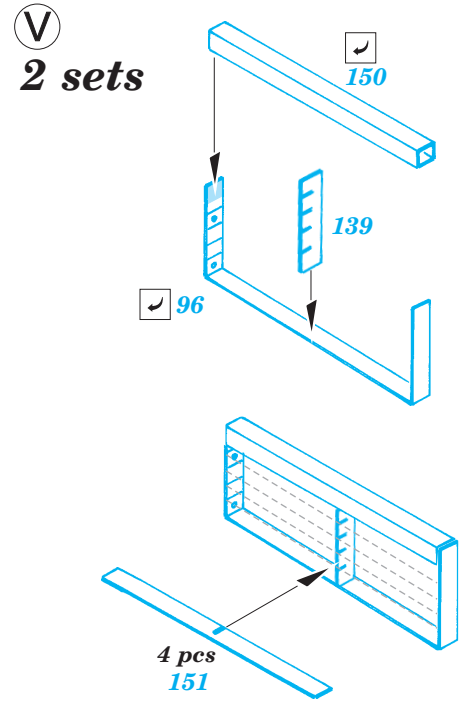
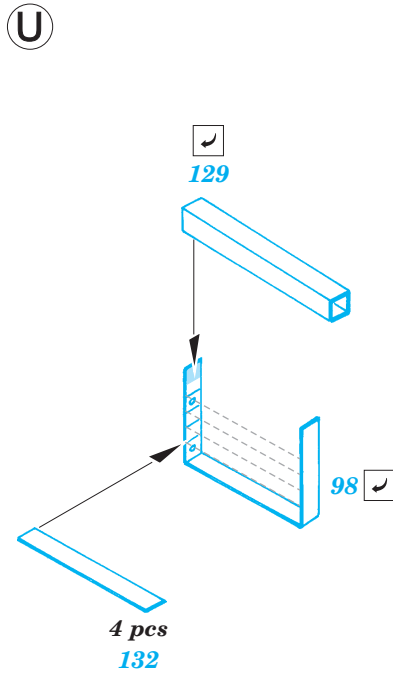
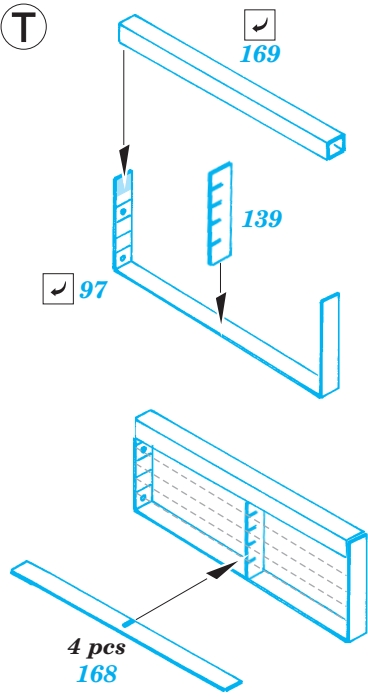
M

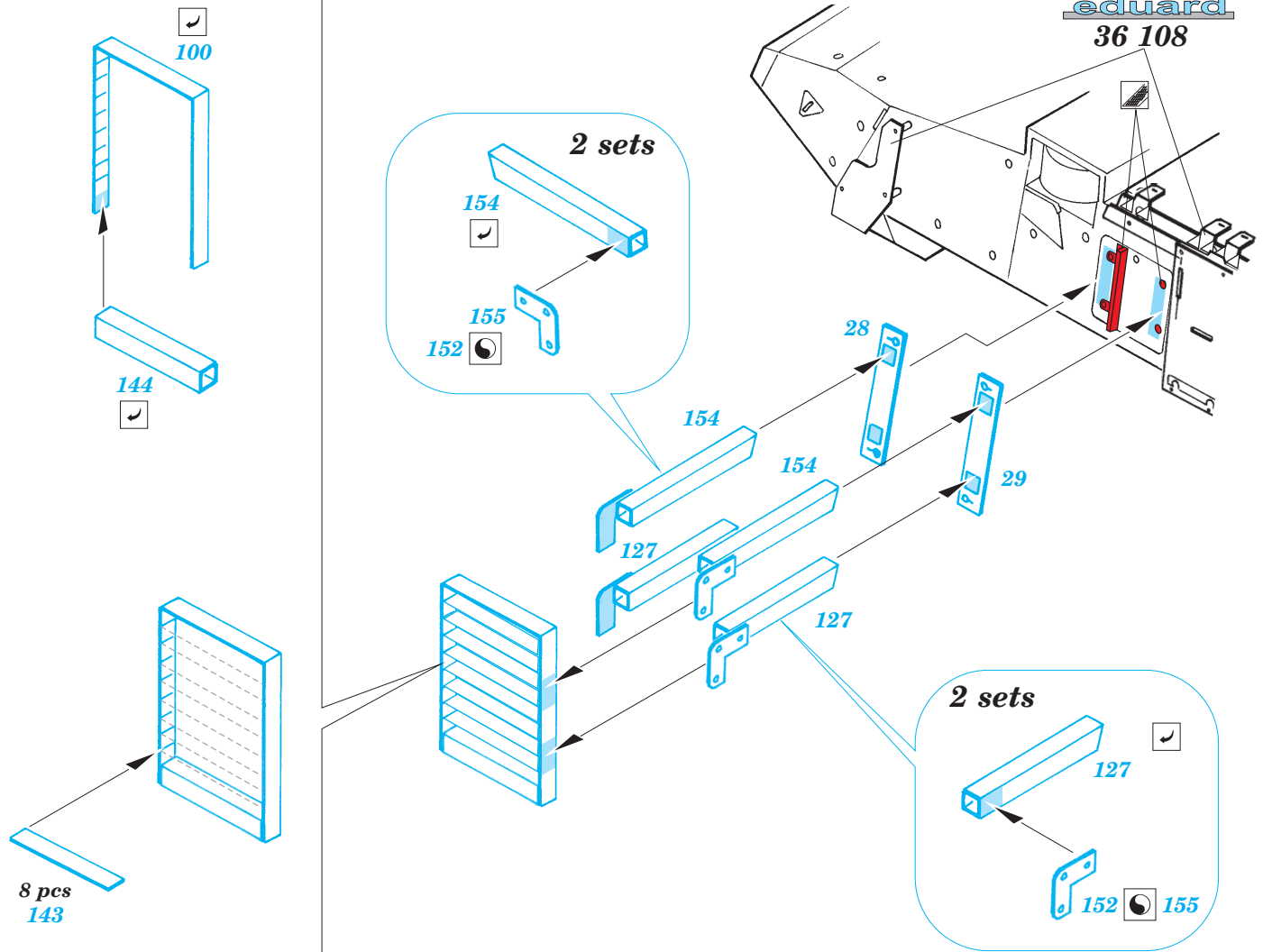






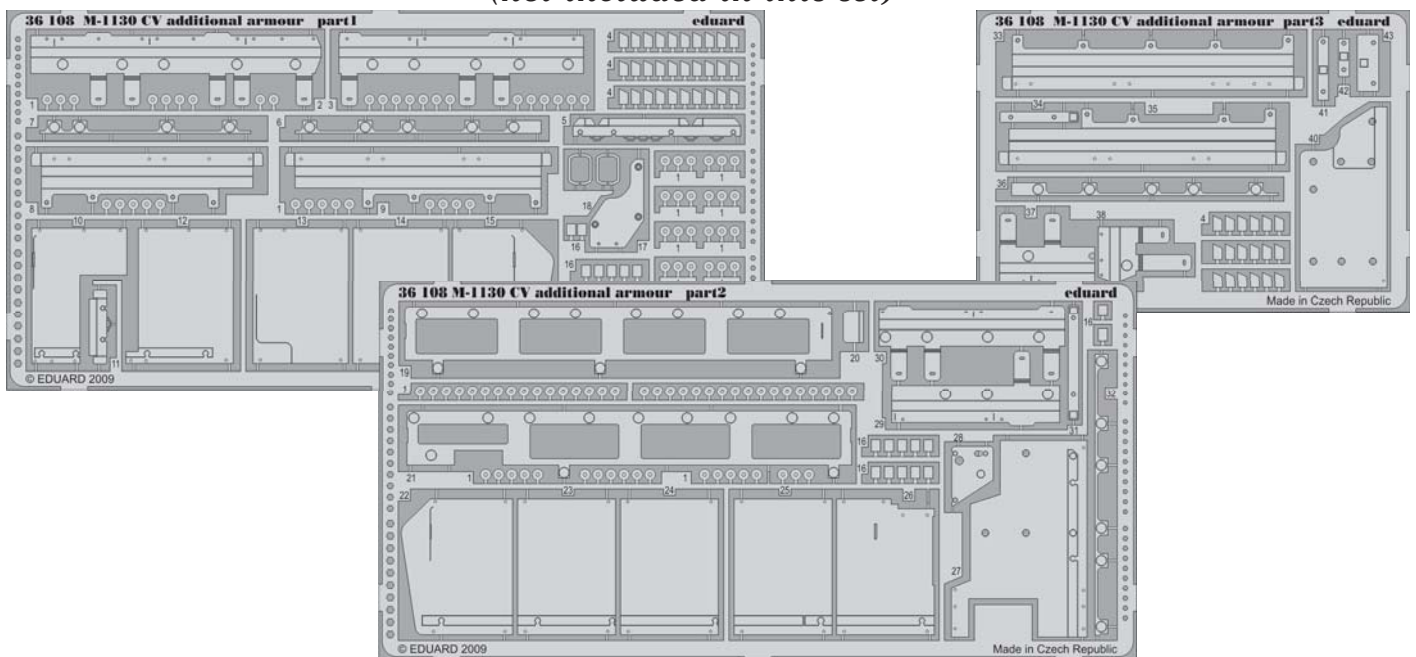






References: <http://www.primeportal.net/apc/stryker.htm>

This set must be used on base eduard 36 108 M-1130 Stryker CV additional armour (not included in this set)



For further detail sets look for eduard 36 107 M-1130 CV, 36 105 M-1130 CV Mounted rack and belts, 36 103 M-1130 SLAT Armor, 36 001 Stryker storage belts and TP 096 Stryker exhaust deflector (not included in this set)