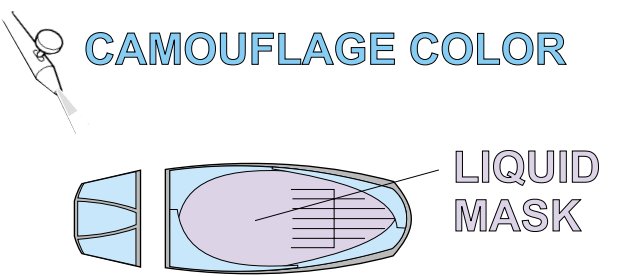
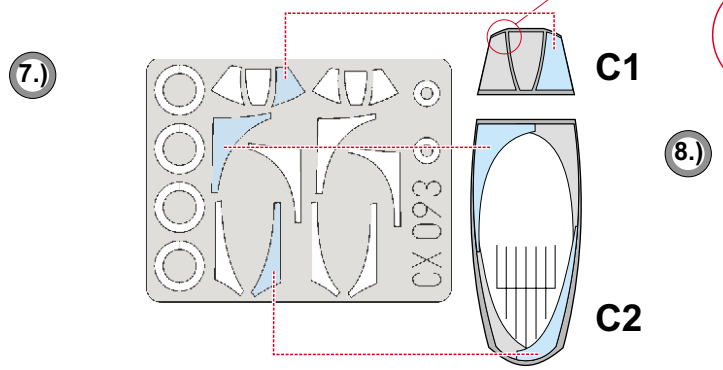
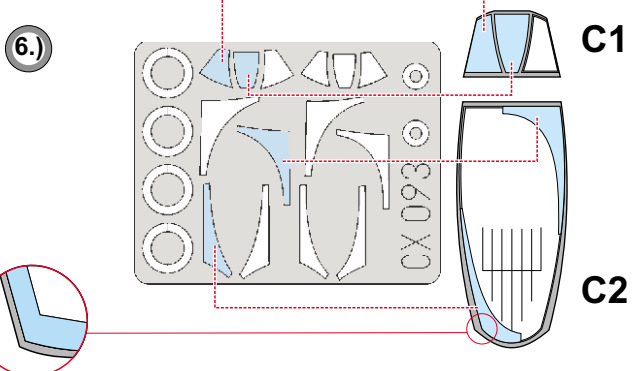
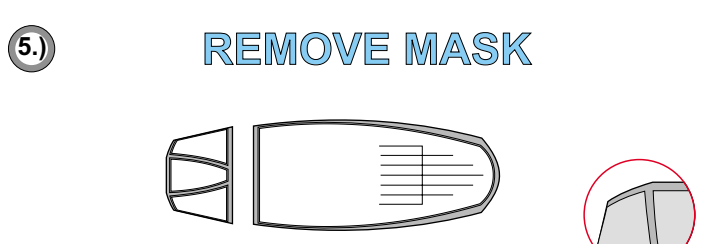
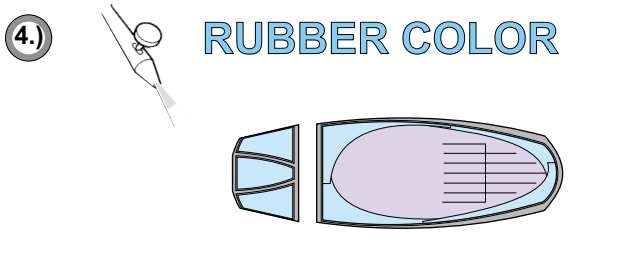
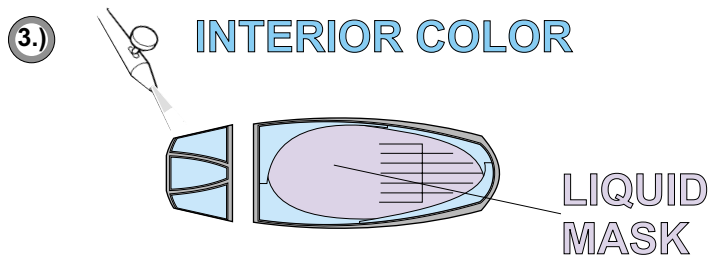
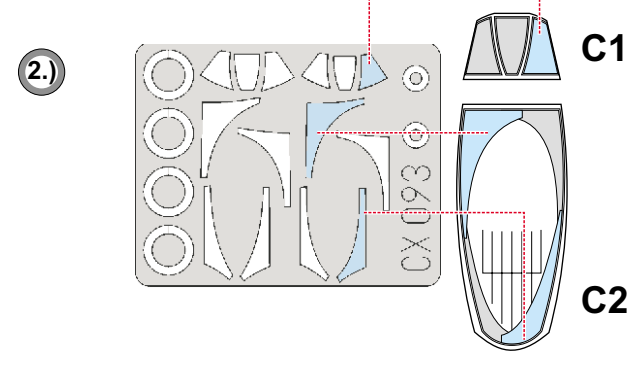
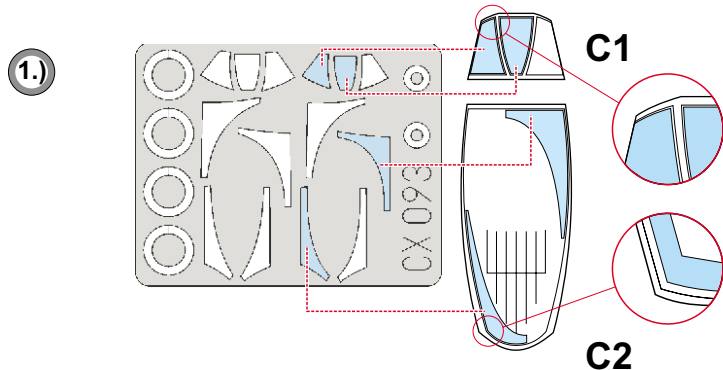
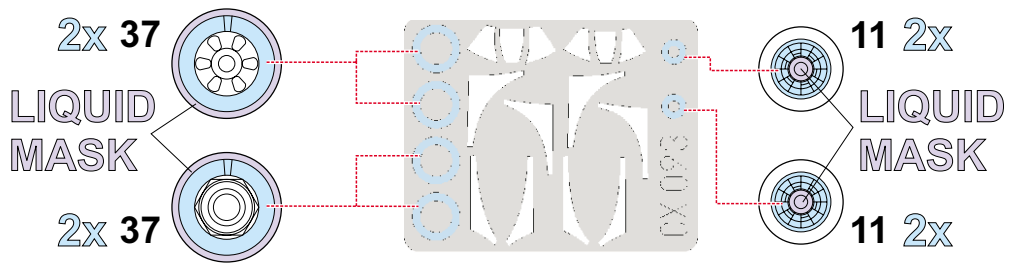
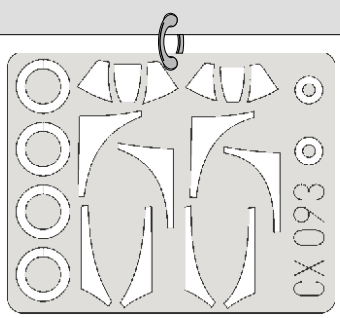


eduard  
MASK

# F-86F/RF-86 Sabre 1/72

The die-cut mask for accurate canopy frame painting of the  
*Fujimi* scale 1/72 KIT

CX 093



REFERENCES: Model Art #302 - F-86F Sabre  
Replic #62/1996