

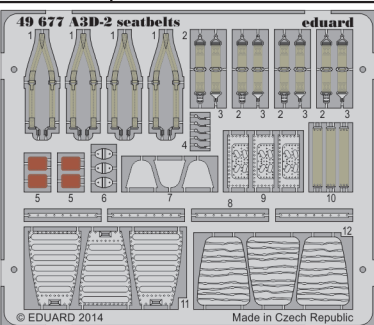


A3D-2 seatbelts

1/48 scale detail set for Trumpeter kit • sada detailů pro model 1/48 Trumpeter

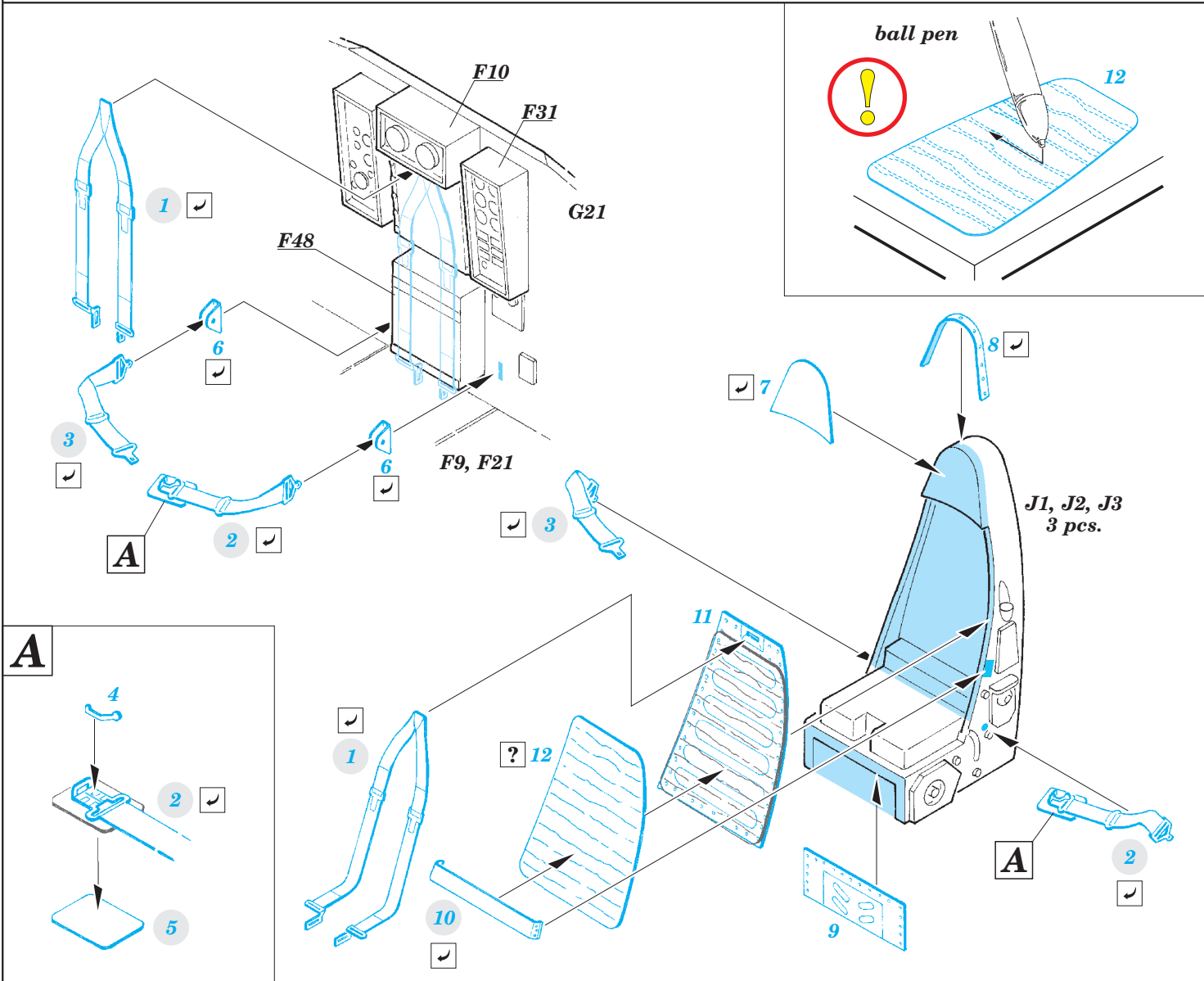
eduard

49 677



- ★ APPLY EXPRESS MASK AND PAINT BEFORE GLUING
POUŽIT EXPRESS MASK NABARVIT PŘED SLEPENÍM
- ☯ SYMMETRICAL ASSEMBLY
SYMETRICKÁ MONTÁŽ
- ☐ REMOVE
ODSTRANIT
- ☒ GRIND
OBROUSIT
- ⚪ DRILL HOLE
VRTAT OTVOR
- 1 COLORED ETCHED PARTS
LEPTANÉ BAREVNÉ DÍLY
- ↷ BEND
OHNOUT
- ? OPTION
VOLBA
- Ⓜ REPLACE
NAHRADIT

■ ORIGINAL KIT PARTS
PŮVODNÍ DÍLY STAVEBNICE
 ■ PHOTO-ETCHED PARTS
LEPTANÉ DÍLY
 ■ PARTS TO BE REMOVED
DÍLY K ODSTRANĚNÍ
 ■ FILL
TMELIT



For further detail sets look for **eduard** 49 655 A3D-2 interior S.A. (not included in this set)

For further detail sets look for **eduard** 48 793 A3D-2 exterior (not included in this set)

For further detail sets look for **eduard** 48 764 A3D-2 bomb bay (not included in this set)

For further detail sets look for **eduard** 48 791 A3D-2 undercarriage (not included in this set)